

BOARD OF WATER COMMISSIONERS
Robert M. Berkmoes, President
Erika Pocock, Vice President
Rudolph Cabata, Secretary & Treasurer
Ralph Warner
Thomas J. Murphy
Ron Lamaroux



Douglas R. Arndt, Superintendent
Albert T. Fiorillo, Assistant Superintendent
Nancy Sullivan, Office Supervisor
605 West Queen Street
P.O. Box 111
Southington, CT. 06489-0111
(860) 628-5593 -Fax (860) 621-0491

SOUTHINGTON WATER DEPARTMENT SPECIFICATIONS FOR SETTING METERS OUTSIDE

1) GENERAL INFORMATION:

- A) Meters, when possible, should be located inside a heated building. If that is not possible meters must be set in approved "HOT-BOXES", Meter-pits, and or Meter-wells
- B) **All meter settings shall be subject to the approval of the Southington Water Department.**
- C) Meters must be set in an accessible place which will permit reading and resetting of meters without unnecessary delay
- D) Meters should be located far enough away from street to provide sufficient protection from traffic.
- E) All maintenance and repair of meter settings, including snow removal is the sole responsibility of the property owner.
- F) The water table must be at least 3 ½ feet below finish grade of installation.
- G) **If required**, the property owner shall provide an area within reasonable proximity to the meter for setting a remote reading device.
- H) **If required**, the property owner shall provide a post, conduit and all other material necessary for setting a remote reading device
- I) There shall a curb stop valve before the meter well on the owners' property within 5 feet of the meter well.
- J) When a pressure regulator is used it shall be set inside the building.

2) METER-WELL STANDARDS AND SPECIFICATIONS:

- A) Meter-wells can only be used on 1", 1-1/4", 1-1/2" and 2" services with 5/8", ¾" and 1" meters.
- B) **SEE METER-WELL REQUIRED DETAILED DIAGRAMS FOR THE SIZE METER BEING INSTALLED.**
- C) Plastic pre-constructed meter wells and lightweight, bituminized fiber boxes such as Sonoco Tube or Duropipe may be used in areas where the meter well will not be subjected to heavy loads. **These boxes and meter-wells cannot be used in driveways.**
- D) **ALL METER WELLS, METER PITS AND HOT BOXES MUST BE APPROVED BY THE SOUTHINGTON WATER DEPARTMENT.**
- E) The length of the casings must not be less than 4 feet in order to provide sufficient depth below the frost level.
- F) The bottom of plastic meter well must be placed at the bottom on a brick foundation ring. Neither the casing nor the foundation ring should rest on the inlet or outlet water pipes.

- G) The meter well cover shall be double lid type with pentagonal lock bolt such as Ford Meter Box Company's Wabash Double Lid Cover No. W3 or accepted equal. If the meter well is located in a driveway or other place where it will be subject to heavy loads, then the 1 ½" or 2" meter pit detail must be followed.
- H) Joints between the cover and meter well casing must be thoroughly sealed to prevent escape of warm air and the admittance of surface water.
- I) The meter yoke shall be riser type with two angled ball valves as manufactured by Ford Meter Box Company, Inc. or accepted equal. Riser yoke shall be the proper size and model for the meter desired. A PVC pipe support bar is acceptable.
- J) Connections to the inlet and outlet of the meter well can be flared or compression fittings.
- K) The top of the meter must be at least 12 inches, but not more than 18 inches below the finished grade.
- L) The meter must be set in the center of the casing pipe to prevent the meter from coming too close to cold surfaces.
- M) An insulating blank consisting 4'X4' by 3/32" of minicell cross-linked polyethylene shall be fitted over the meter, not covering the meter dial or accessories so as to help trap heat in the lower part of the meter well.
- N) See detailed Specification below.

3) METER-PIT STANDARDS AND SPECIFICATIONS

- A) Meter-pits are mostly used on services pipes larger than 2 inches with 1 ½ inch meters or larger.
- B) Pits are to be constructed of cast in place 12" thick 5,000 P.S.I. concrete with rebar, waterproofed with bitumastic and sealed with 1" dia. Butyl rubber **or equivalent.**
- C) Pits used for meters only must have the following dimensions 6' x 4' x 6'
- D) Pits used in combination with fire protection systems must be 10'x 10' and have a minimum height of 7' 6".
- E) The entrance must be a 2'-7" square opening with a Bilco type J or equal aluminum hatchway for precasted pits and positioned over the ladder rungs.
- F) See detailed Specification below.

4) HOT BOX STANDARDS AND SPECIFICATIONS

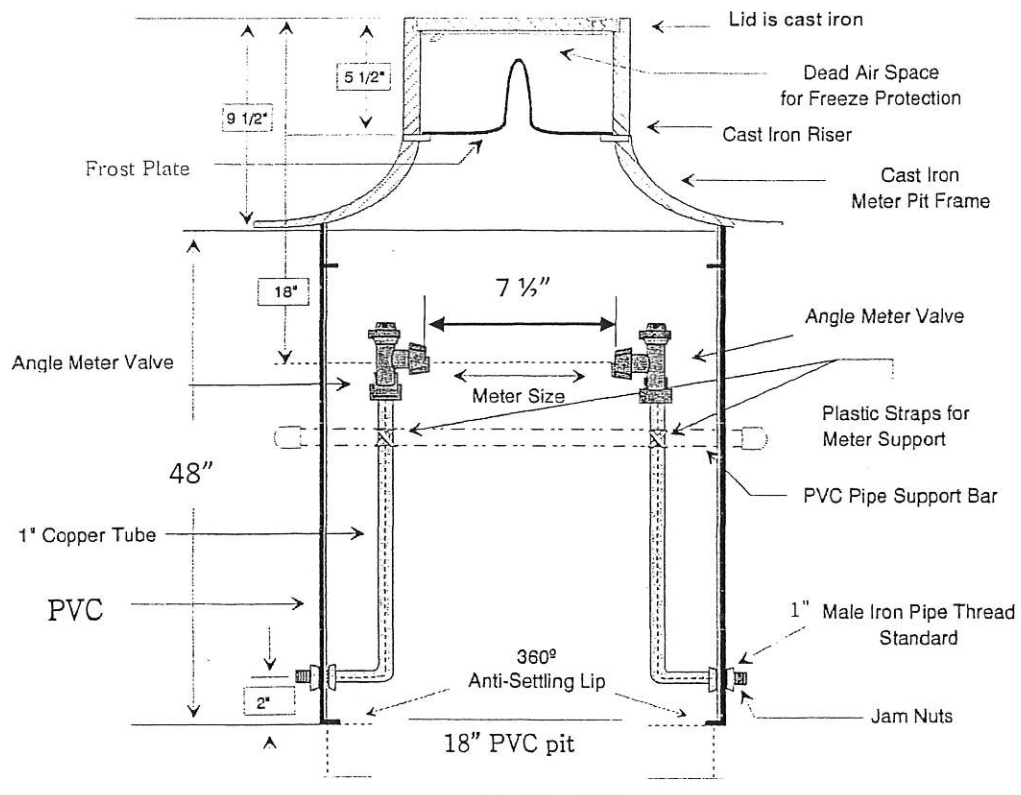
- A) HOT BOXES can be used on services of any size.
- B) HOT BOXES required on any new service with cross-connection controls to be located outside of a building
- C) Accepted HOT BOXES are manufactured by HOT BOX ® of Jacksonville FL. or equivalent. **Equivalents must be approved by the Southington Water Department.**

Revised 4-4-14



5/8" X 3/4" METER PIT 11" Frame and Cover

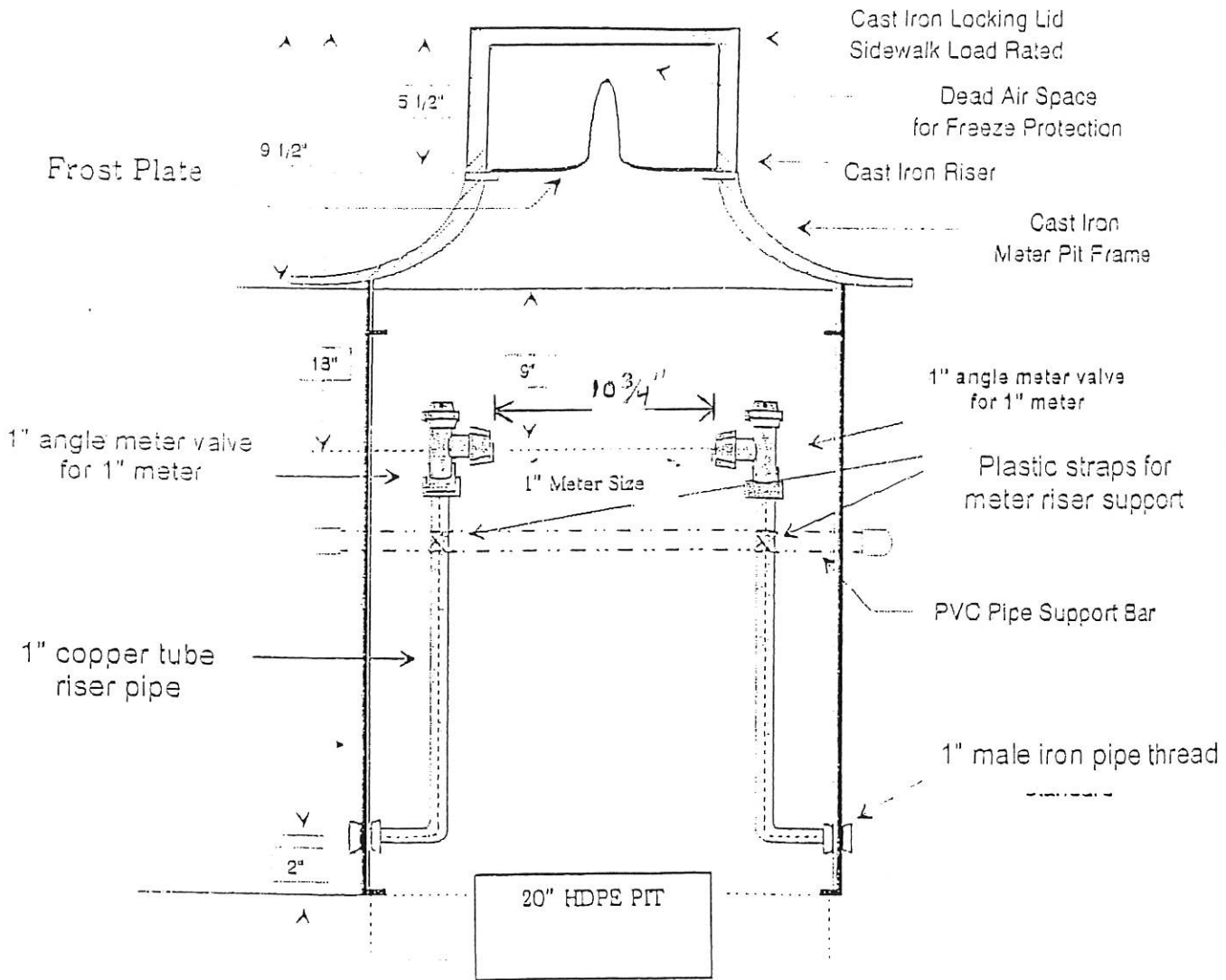
ALL WITH NO LEAD BRASS



FOR 5/8" AND 3/4" METERS WITH 7 1/2" SPREAD



Pre-plumbed for 1" meter set / All with No Lead Brass



Pit size: 20"

Meter size: 1" Meter supplied by utility.

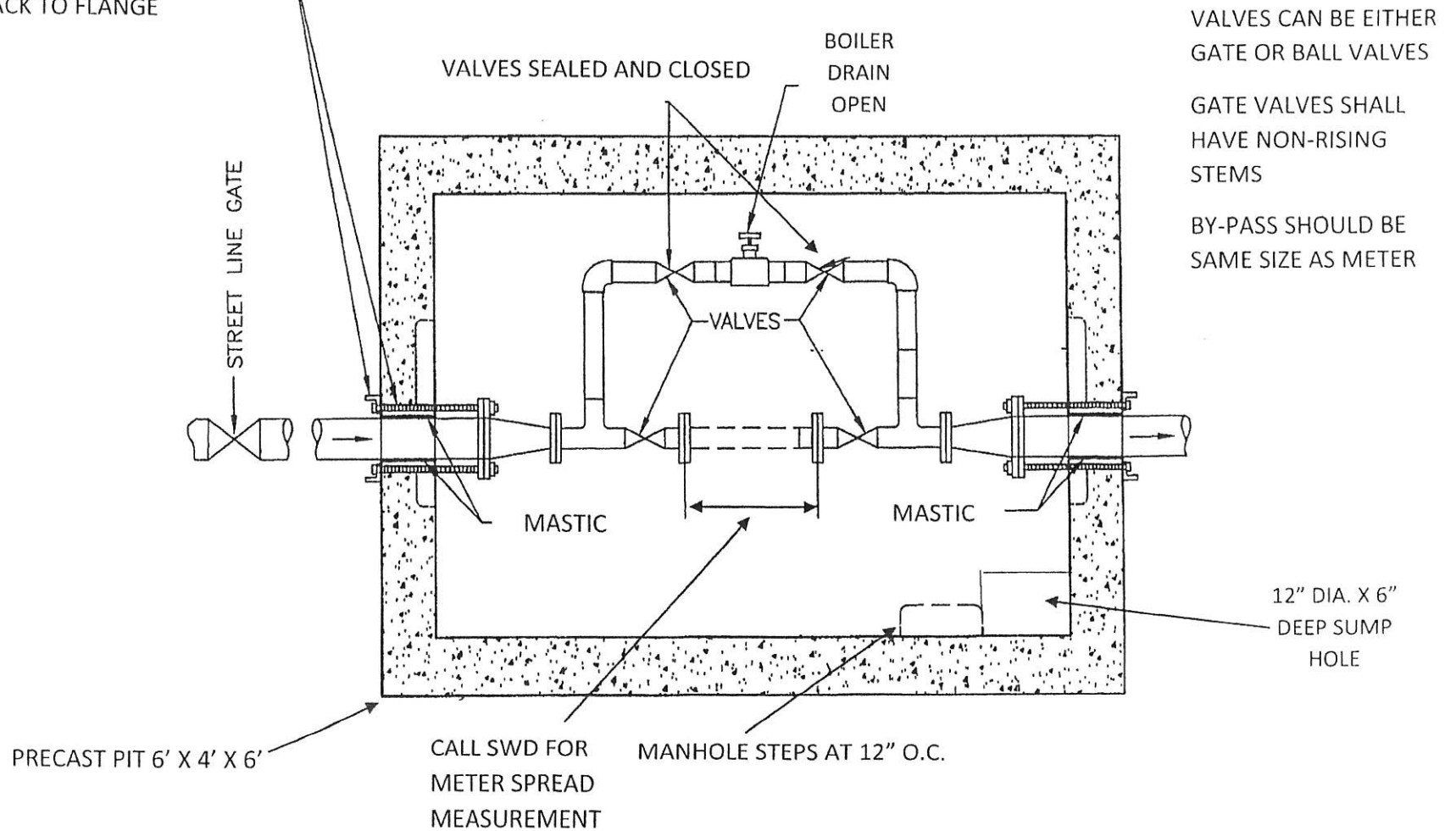
Cover and Lid: Frost cover with riser is standard.

Solid lids or lids with 1 3/4" hole are available for Reader "Touch Pads."

Pit material: PVC

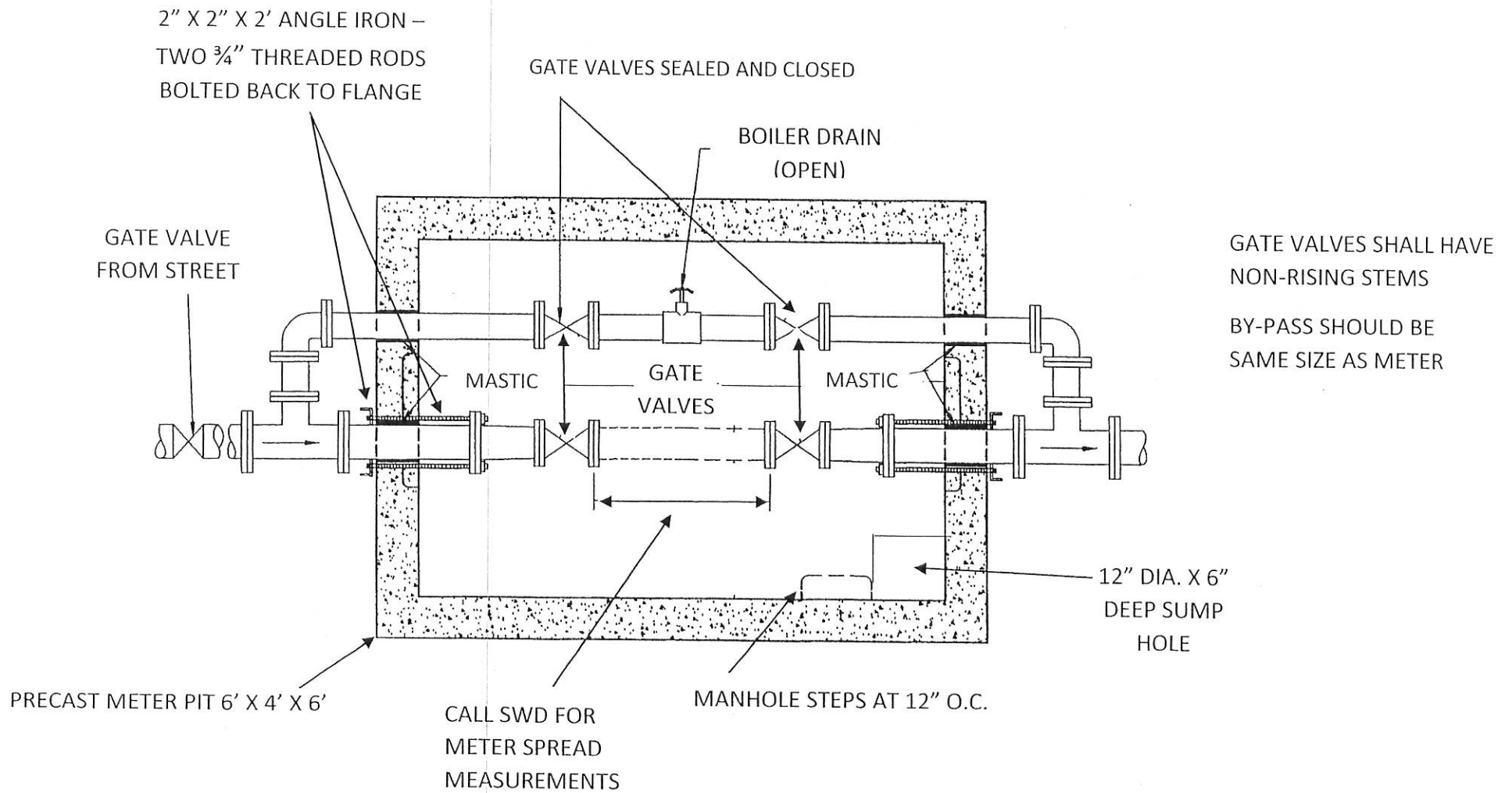
BY-PASS MUST BE APPROVED BY THE SOUTHLINGTON WATER DEPARTMENT

2" X 2" X 2' ANGLE IRON TWO-
3/4" THREADED RODS BOLTED
BACK TO FLANGE



TYPICAL METER PIT REQUIREMENTS FOR 1 1/2" & 2" METER INSTALLATION

BY-PASS MUST BE APPROVED BY THE SOUTHTON WATER DEPARTMENT



TYPICAL METER PIT REQUIREMENTS FOR 3" AND 4" METER INSTALLATION